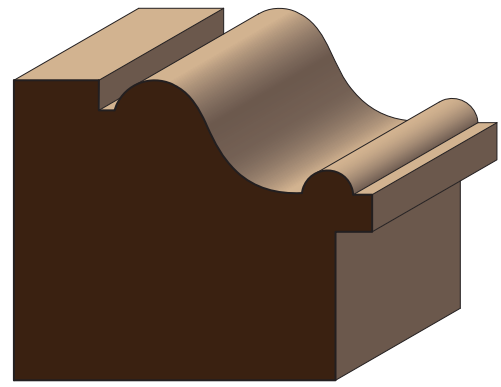
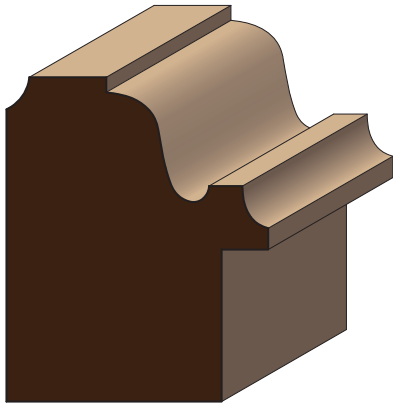


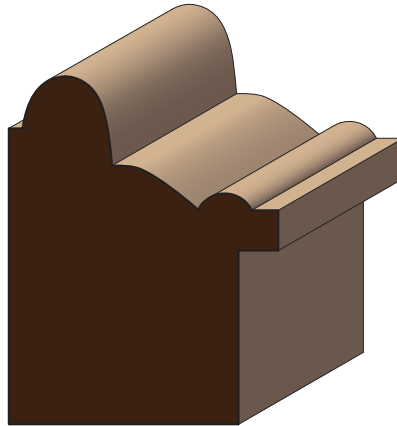
BB 169 $1\frac{1}{2} \times 2\frac{1}{8}$
French Mid 19th Century



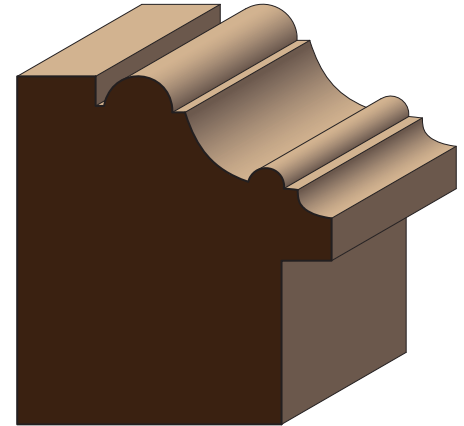
BB 437 $1\frac{9}{16} \times 1\frac{7}{8}$



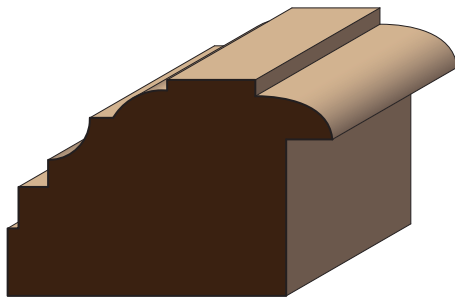
BB 259 $1\frac{11}{16} \times 1\frac{3}{8}$
American Victorian



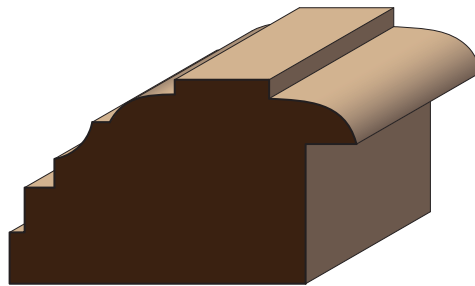
BB 488 $1\frac{13}{16} \times 1\frac{3}{8}$
American Late 19th Century



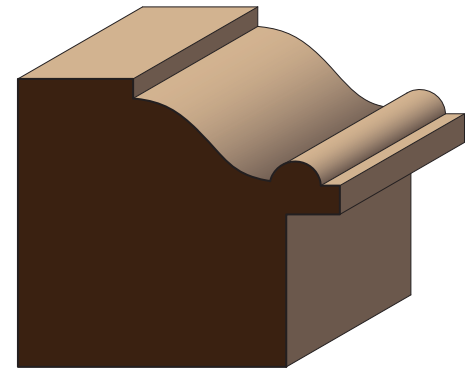
BB 552 $1\frac{13}{16} \times 1\frac{5}{8}$



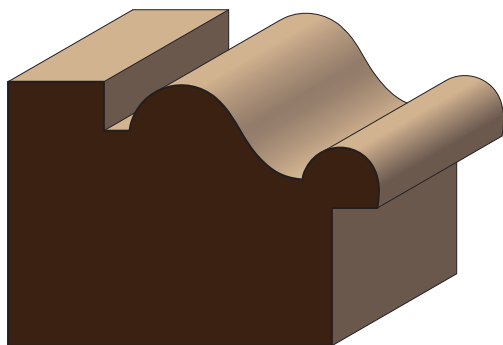
BB 682 $1\frac{1}{8} \times 1\frac{11}{16}$
American Victorian



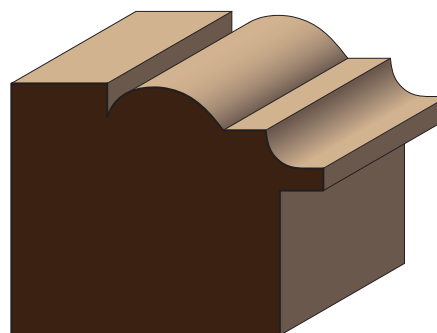
BB 681 $1\frac{1}{16} \times 1\frac{13}{16}$
American Victorian



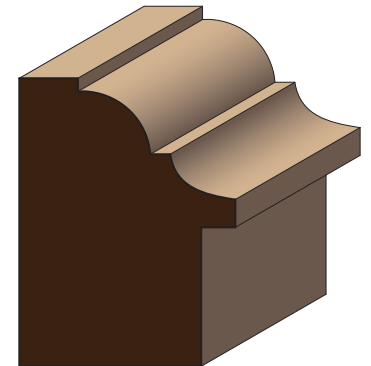
BB 773 $1\frac{1}{2} \times 1\frac{5}{8}$
American Late 19th Century



BB 499 $1\frac{3}{8} \times 1\frac{15}{16}$
American Victorian



BB 589 $1\frac{5}{16} \times 1\frac{5}{8}$



BB 734 $1\frac{1}{2} \times 1\frac{1}{8}$

BACKBANDS