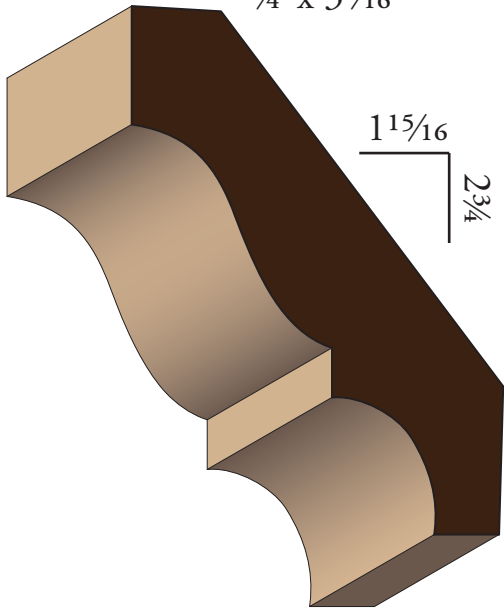
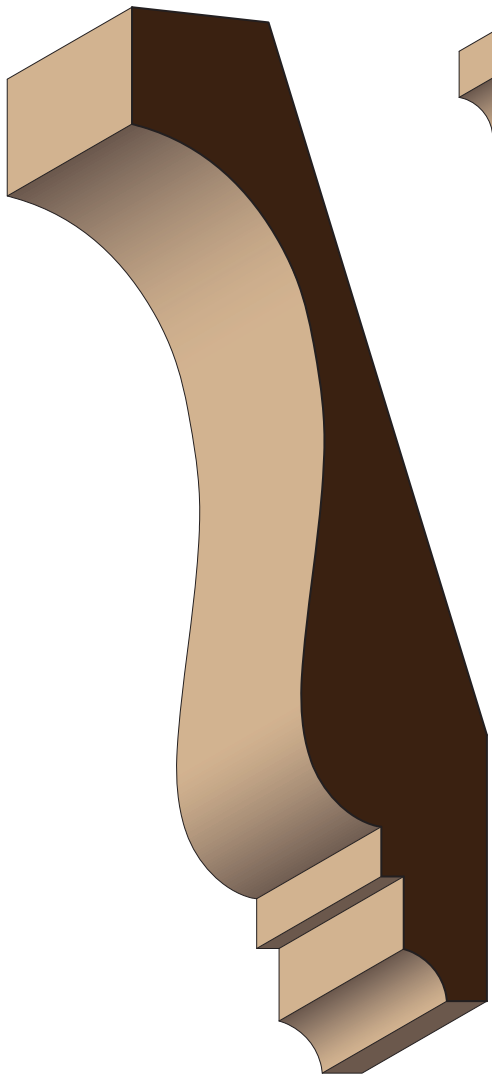
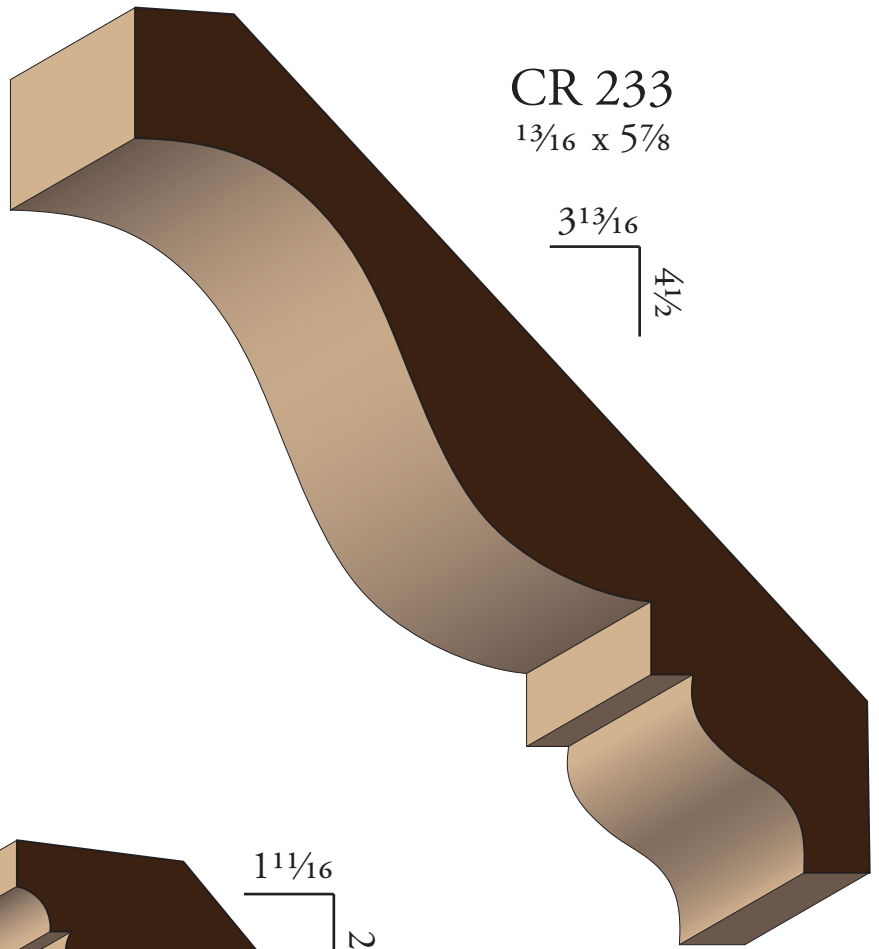


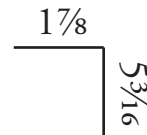
CR 261  
 $\frac{3}{4} \times 3\frac{5}{16}$



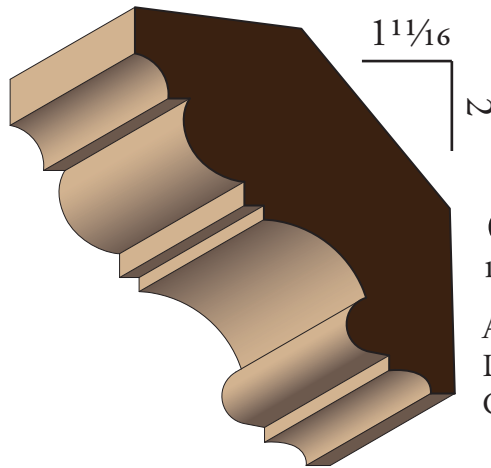
CR 233  
 $1\frac{3}{16} \times 5\frac{7}{8}$



CR 252  
 $\frac{7}{8} \times 5\frac{1}{2}$

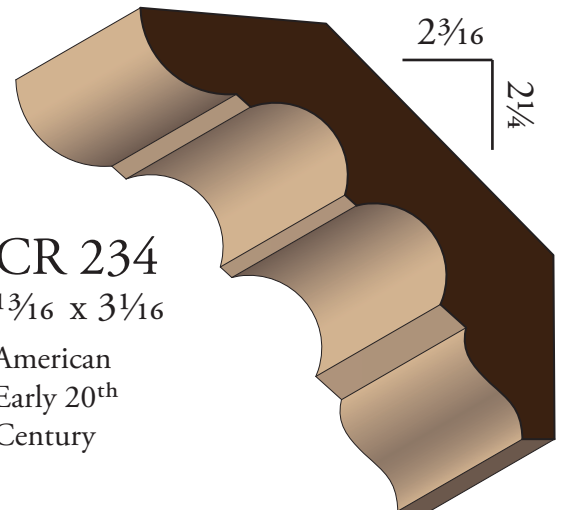


American  
 Late 19<sup>th</sup>  
 Century



CR 246  
 $1\frac{3}{16} \times 2\frac{9}{16}$

American  
 Late 19<sup>th</sup>  
 Century



CR 234  
 $1\frac{3}{16} \times 3\frac{1}{16}$

American  
 Early 20<sup>th</sup>  
 Century