

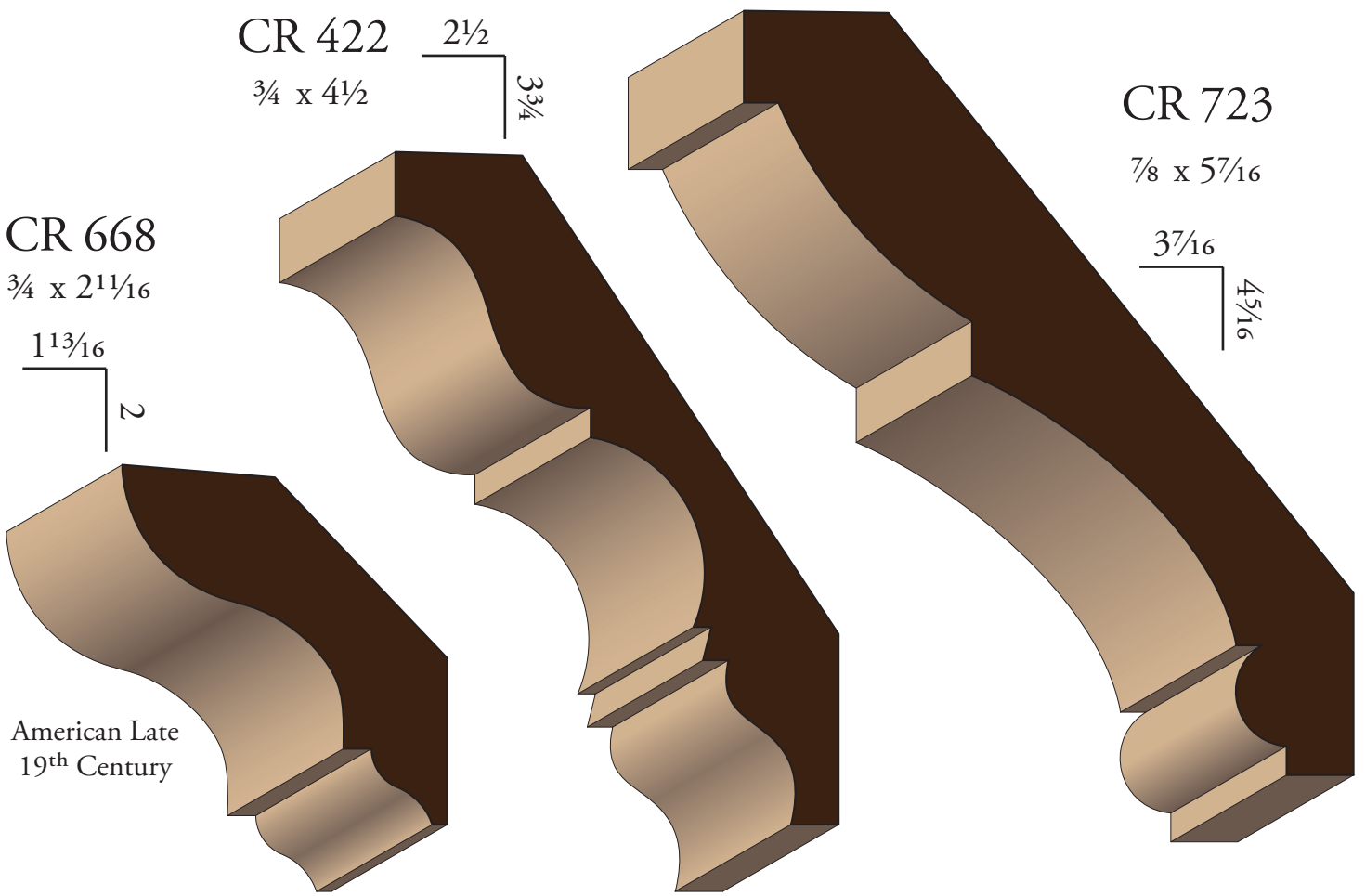
CR 422
 $\frac{3}{4} \times 4\frac{1}{2}$
 $2\frac{1}{2}$
 $3\frac{3}{4}$

CR 723
 $\frac{7}{8} \times 5\frac{7}{16}$
 $3\frac{7}{16}$
 $4\frac{5}{16}$

CR 668
 $\frac{3}{4} \times 2\frac{11}{16}$

$1\frac{13}{16}$
 2

American Late
 19th Century



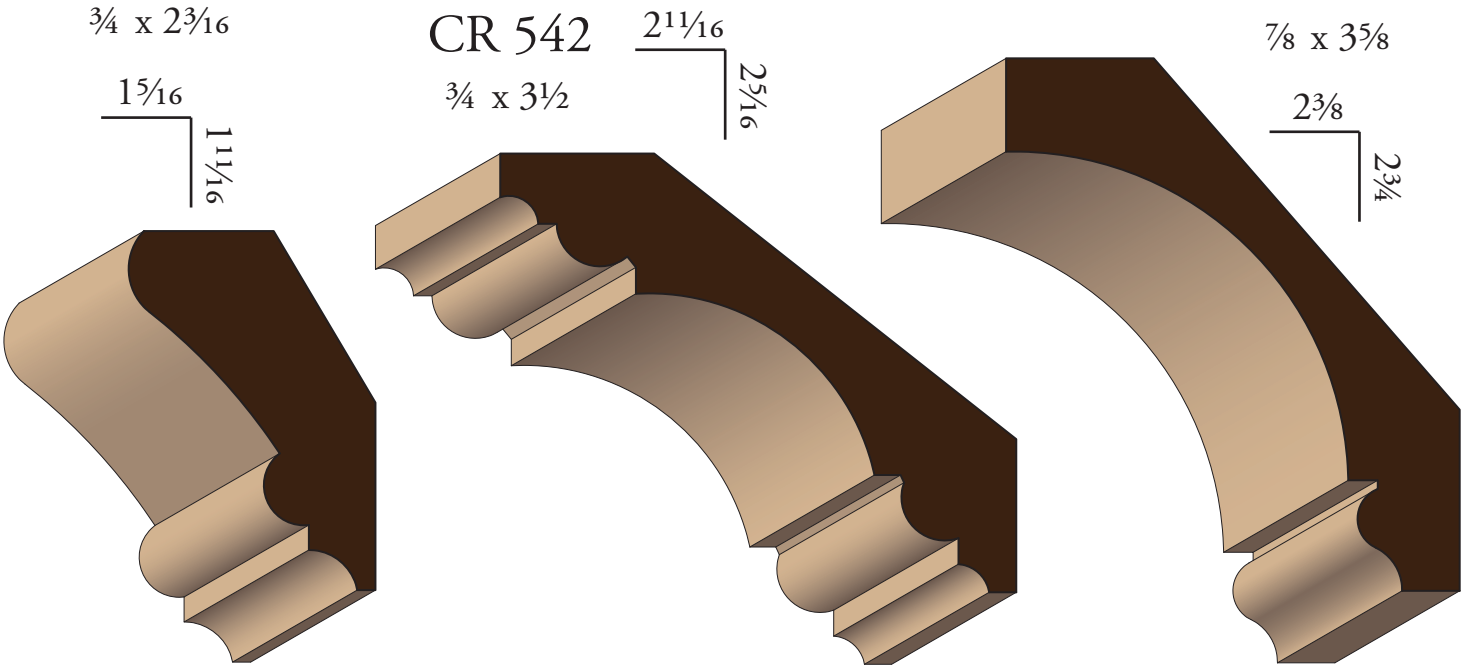
CR 524
 $\frac{3}{4} \times 2\frac{3}{16}$

$1\frac{5}{16}$
 $1\frac{11}{16}$

American Late 19th Century

CR 542
 $\frac{3}{4} \times 3\frac{1}{2}$
 $2\frac{11}{16}$
 $2\frac{5}{16}$

CR 443
 $\frac{7}{8} \times 3\frac{5}{8}$
 $2\frac{3}{8}$
 $2\frac{3}{4}$



CROWNS