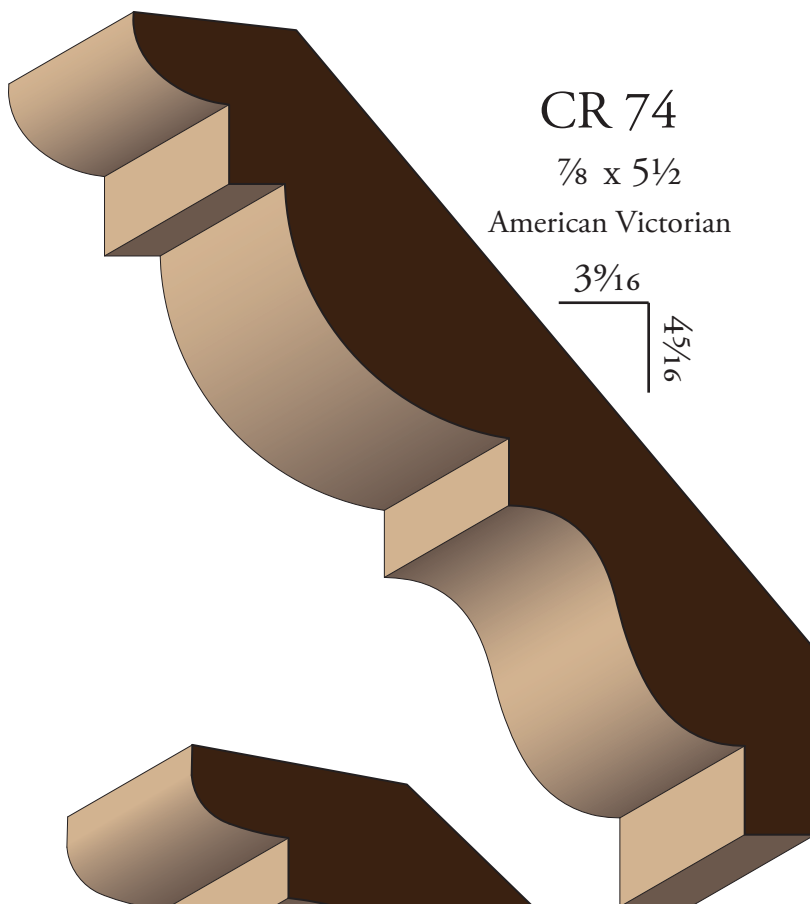


CR 340

$1\frac{1}{16} \times 3\frac{7}{16}$

$1\frac{15}{16}$   
 $\frac{2}{8}$

American Victorian

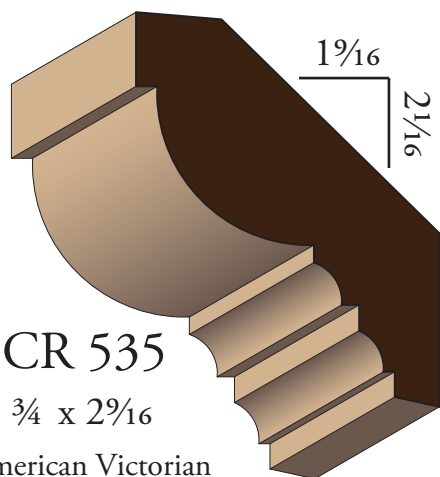


CR 74

$\frac{7}{8} \times 5\frac{1}{2}$

American Victorian

$3\frac{9}{16}$   
 $4\frac{5}{16}$

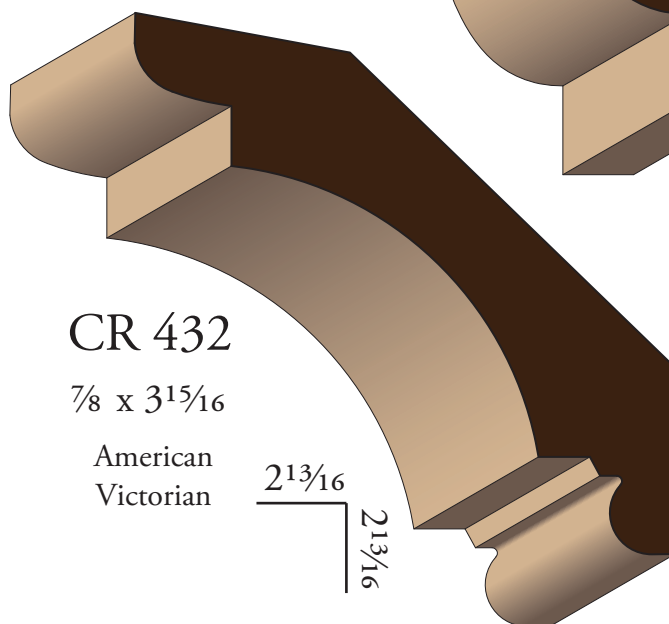


CR 535

$\frac{3}{4} \times 2\frac{9}{16}$

American Victorian

$1\frac{9}{16}$   
 $2\frac{1}{16}$

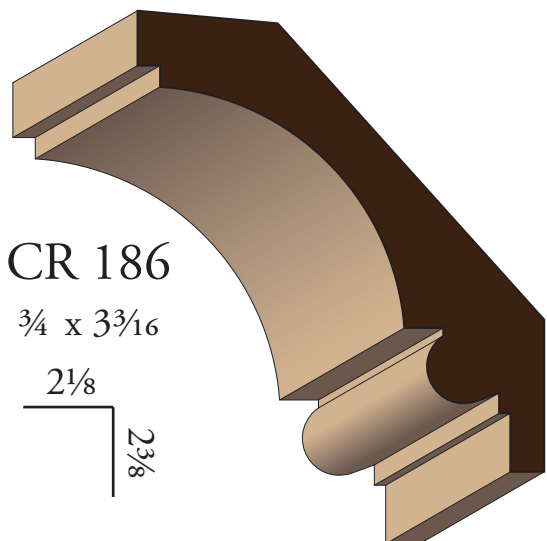


CR 432

$\frac{7}{8} \times 3\frac{15}{16}$

American  
Victorian

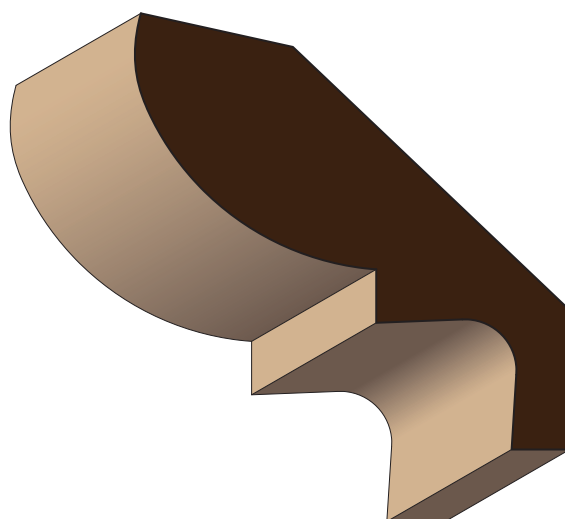
$2\frac{13}{16}$   
 $2\frac{13}{16}$



CR 186

$\frac{3}{4} \times 3\frac{3}{16}$

$2\frac{1}{8}$   
 $2\frac{3}{8}$



CR 78

$\frac{7}{8} \times 3\frac{3}{16}$

American Victorian

$2\frac{1}{4}$   
 $2\frac{1}{4}$