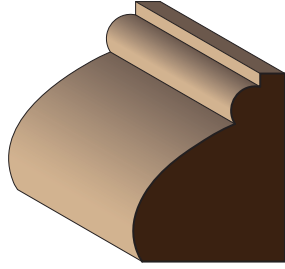


PA 49B

$\frac{7}{8} \times 1\frac{3}{16}$

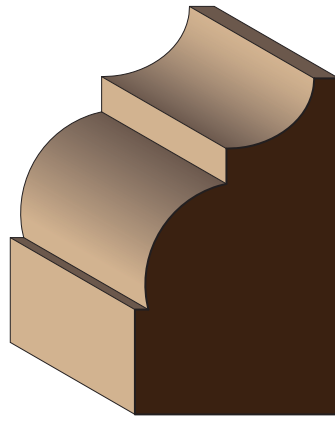
English 18<sup>th</sup> Century



PA 49C

$\frac{3}{4} \times 1$

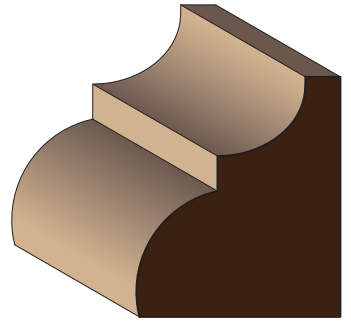
English 18<sup>th</sup> Century



PA 52

$1\frac{1}{16} \times 1\frac{3}{4}$

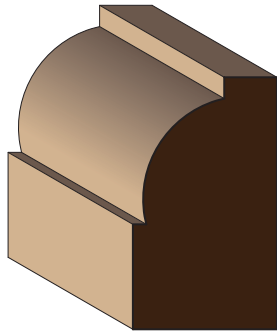
English 18<sup>th</sup> Century



PA 52A

$1\frac{1}{16} \times 1\frac{1}{4}$

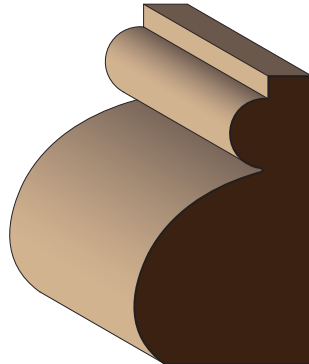
English 18<sup>th</sup> Century



PA 52B

$\frac{3}{4} \times 1\frac{5}{16}$

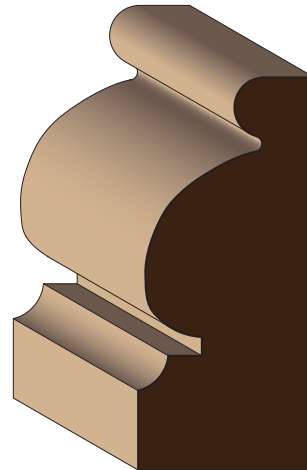
English 18<sup>th</sup> Century



PA 76A

$\frac{7}{8} \times 1\frac{1}{2}$

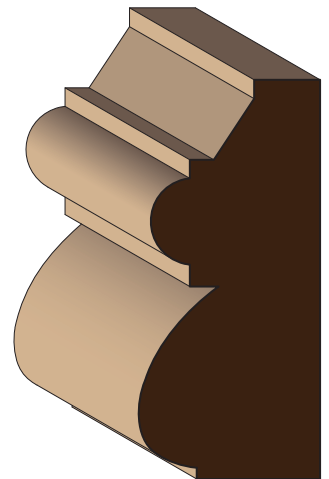
French 19<sup>th</sup> Century



PA 76

$1\frac{5}{16} \times 2\frac{1}{8}$

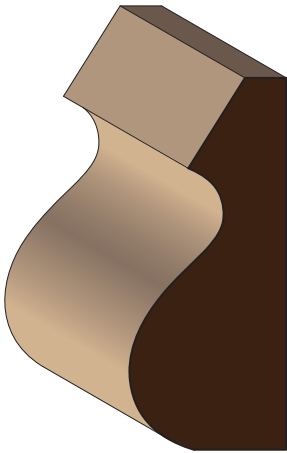
French 19<sup>th</sup> Century



BA 71

$1\frac{5}{16} \times 2\frac{1}{8}$

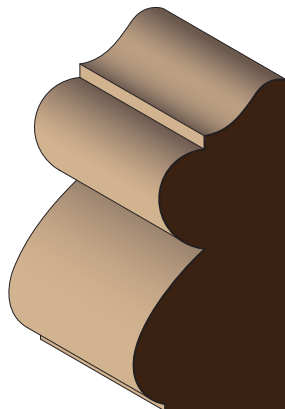
American Victorian



BA 55

$\frac{7}{8} \times 1\frac{15}{16}$

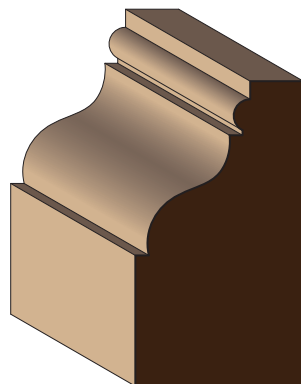
American  
Mid 19<sup>th</sup> Century



BA 79

$1\frac{3}{16} \times 1\frac{3}{4}$

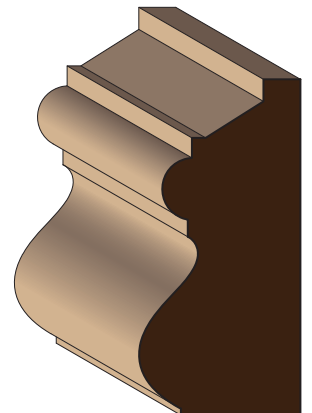
American  
Depression Era



PA 53

$\frac{7}{8} \times 1\frac{5}{8}$

English 18<sup>th</sup> Century



BA 13

$1\frac{3}{16} \times 1\frac{3}{4}$

American Depression Era